

MODEL 151

Automatic Print & Apply Label Applicator



 auto labe

MODEL 151

Automatic Print & Apply Label Applicator

Auto Labe's new Print/Apply System integrates either a Tamp, Blow, Air-Tamp or Smart Tamp Label Applicator with High Performance Thermal Transfer and Direct Thermal Printers. The Model 151 incorporates a PLC for easy operation and control. No more relays or circuit board problems to worry about. Built to last with only the best components available for maximum versatility and performance.

FEATURES:

- Exceptional placement accuracy.
- Built for industrial environment.
- Flexible mounting allows labeling from the side, top, or bottom.
- Tamp-Blow for recessed label application.

SPECIFICATIONS:

Interface:

USB, RS232, Ethernet,
Parallel and Twinax/Coax

Air Requirements:

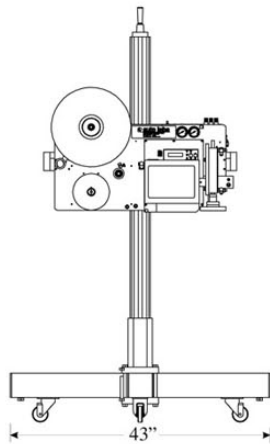
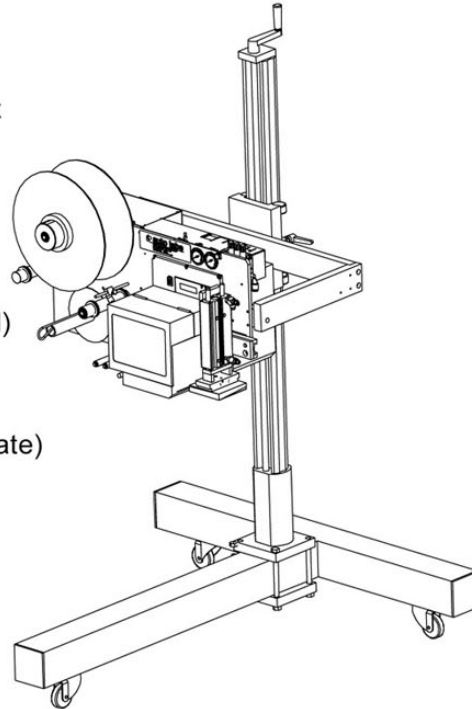
3 CFM @ 90 PSIG

Electric Requirements:

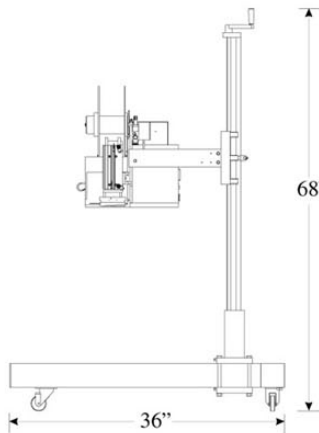
110 VAC 60 HZ/5 AMP
220 VAC 50 HZ (Optional)

Equipment Weight:

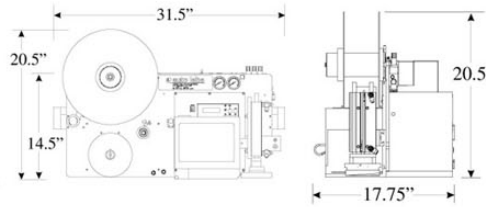
Applicator Only
67 lbs/30.5 kg (approximate)



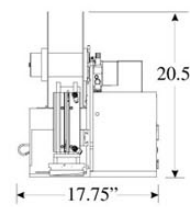
FRONT VIEW



SIDE VIEW



FRONT VIEW



SIDE VIEW

PRINT ENGINE OPTIONS

SATO 8460Se

203dpi (8 dots/mm)
Print Speed: (Up to 8"/sec)
Maximum Print Area:
(6" Wide by 49.2" Long)
Printing Method: Thermal Transfer
Direct Thermal

SATO 8485Se

203dpi (8 dots/mm)
Print Speed: (Up to 12"/sec)
Maximum Print Area:
(5" Wide by 49.2" Long)
Printing Method: Thermal Transfer
Direct Thermal

SATO 8490Se

305dpi (12 dots/mm)
Print Speed: (Up to 8"/sec)
Maximum Print Area:
(4.4" Wide by 32.8" Long)
Printing Method: Thermal Transfer
Direct Thermal

ZEBRA 110PAX4

203 or 300 dpi
Print Speed: (12"/sec @ 203dpi)
Print Speed: (8"/sec @ 300dpi)
Maximum Print Area:
(4.1" Wide by 39" Long)
Printing Method: Thermal Transfer
Direct Thermal

ZEBRA 170PAX4

203 or 300 dpi
Print Speed: (12"/sec @ 203dpi)
Print Speed: (8"/sec @ 300dpi)
Maximum Print Area:
(6.6" Wide by 39" Long)
Printing Method: Thermal Transfer
Direct Thermal

DATAMAX A-4212 MARK II

203dpi (8 dots/mm)
Print Speed: (2" to 12"/sec)
Maximum Print Area:
(4.094" Wide by 99" Long)
Printing Method: Thermal Transfer
Direct Thermal

DATAMAX A-4308 MARK II

300dpi (12 dots/mm)
Print Speed: (2" to 8"/sec)
Maximum Print Area:
(4.16" Wide by 99" Long)
Printing Method: Thermal Transfer
Direct Thermal

DATAMAX A-6210 MARK II

203dpi (8 dots/mm)
Print Speed: (2" to 10"/sec)
Maximum Print Area:
(6.61" Wide by 99" Long)
Printing Method: Thermal Transfer
Direct Thermal

Options/Accessories

- Variety of Tamp Head sizes
- Variety of Blow Grid sizes
- Air-Tamp Option
- Smart Tamp Sensor
- Web Monitoring System
- Accumulators / Descramblers
- T-Base Stand
- Custom Hardware and Mounts
- Custom Conveyors
- Spare Parts Kit
- Software Packages
- Print Pad
- Computers
- Ribbon Stock
- Label Stock



DIVISION OF BOOTH MANUFACTURING COMPANY

3101 Industrial Avenue Two, Fort Pierce, Florida 34946
Toll Free 800-634-5376 • 772-465-4441 • Fax 772-465-5177
www.autolabe.com • e-mail: info@autolabe.com