

# MODEL 155

Automatic Print & Apply Label Applicator



 auto labe

# MODEL 155

## Automatic Print & Apply Label Applicator

Auto Labe's new Print/Apply System integrates either a Tamp, Blow, Air-Tamp or Smart Tamp Label Applicator with High Performance Thermal Transfer and Direct Thermal Printers. The Model 155 incorporates an Allen Bradley PLC for easy menu driven operation and control. No more relays or circuit board problems to worry about. Built to last with only the best components available for maximum versatility and performance.

### FEATURES:

- Exceptional placement accuracy.
- Built for industrial environment.
- Flexible mounting allows labeling from the side, top, or the bottom.
- Tamp-Down for recessed label application.

### SPECIFICATIONS:

#### Interface:

USB, RS232, Ethernet, Parallel and Wireless

#### Air Requirements:

3 CFM @ 90 PSIG

#### Electric Requirements:

110 VAC 60Hz/5 AMP  
220 VAC 50HZ

#### Equipment Weight:

Applicator & Print Engine Only  
75 lbs/36kg (approximate)

### PRINT ENGINE OPTIONS

#### SATO 8460Se

203dpi ( 8 dots/mm )  
Print Speed: (Up to 8"/sec)  
Maximum Print Area:  
(6" Wide by 49.2" Long)  
Printing Method: Thermal Transfer  
Direct Thermal

#### SATO 8485Se

203dpi ( 8 dots/mm )  
Print Speed: (Up to 12"/sec)  
Maximum Print Area:  
(5" Wide by 49.2" Long)  
Printing Method: Thermal Transfer  
Direct Thermal

#### SATO 8490Se

305dpi ( 12 dots/mm )  
Print Speed: (Up to 8"/sec)  
Maximum Print Area:  
(4.4" Wide by 32.8" Long)  
Printing Method: Thermal Transfer  
Direct Thermal

#### ZEBRA ZE500

203 or 300 dpi  
Print Speed: (12"/sec @ 203dpi)  
Print Speed: (8"/sec @ 300dpi)  
Maximum Print Area:  
( 4.1" Wide by 39" Long )  
Printing Method: Thermal Transfer  
Direct Thermal

#### ZEBRA ZE500 Wide

203 or 300 dpi  
Print Speed: (12"/sec @ 203dpi)  
Print Speed: (8"/sec @ 300dpi)  
Maximum Print Area:  
( 6.6" Wide by 39" Long )  
Printing Method: Thermal Transfer  
Direct Thermal

#### DATAMAX A-4212 MARK II

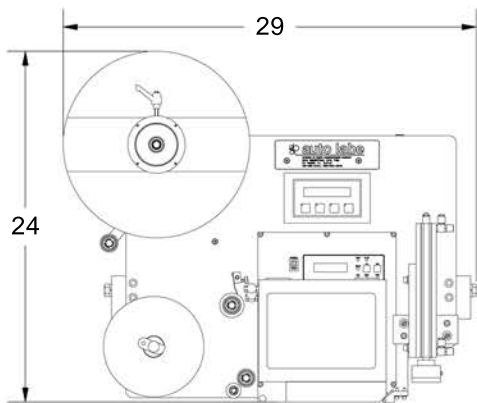
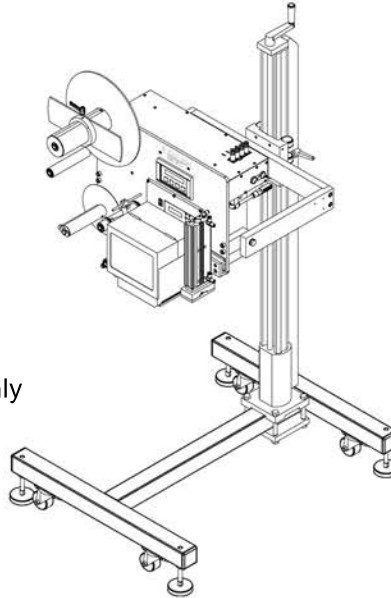
203dpi ( 8 dots/mm )  
Print Speed: (2" to 12"/sec)  
Maximum Print Area:  
( 4.094" Wide by 99" Long )  
Printing Method: Thermal Transfer  
Direct Thermal

#### DATAMAX A-4308 MARK II

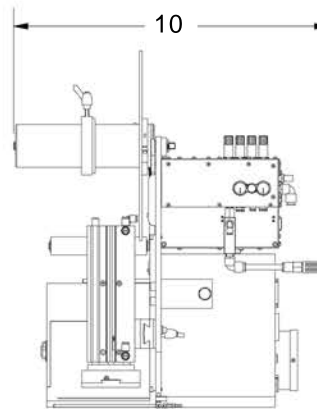
300dpi ( 12 dots/mm )  
Print Speed: (2" to 8"/sec)  
Maximum Print Area:  
( 4.16" Wide by 99" Long )  
Printing Method: Thermal Transfer  
Direct Thermal

#### DATAMAX A-6210 MARK II

203dpi ( 8 dots/mm )  
Print Speed: (2" to 10"/sec)  
Maximum Print Area:  
( 6.61" Wide by 99" Long )  
Printing Method: Thermal Transfer  
Direct Thermal



FRONT VIEW



SIDE VIEW

### Options/Accessories

- Tamp/Blow Labeling
- Adjacent Side Carton Labeling
- Corner Wrap Carton Labeling
- Smart Tamp Labeling
- Web Monitoring System
- Accumulators / Descramblers
- Heavy Duty T-Base Stand
- Custom Hardware and Mounts
- Custom Conveyors
- Spare Parts Kits
- Software Packages
- Computers
- Ribbon Stock
- Label Stock



DIVISION OF BOOTH MANUFACTURING COMPANY

3101 Industrial Avenue Two, Fort Pierce, Florida 34946  
Toll Free 800-634-5376 • 772-465-4441 • Fax 772-465-5177  
www.autolabe.com • e-mail: info@autolabe.com