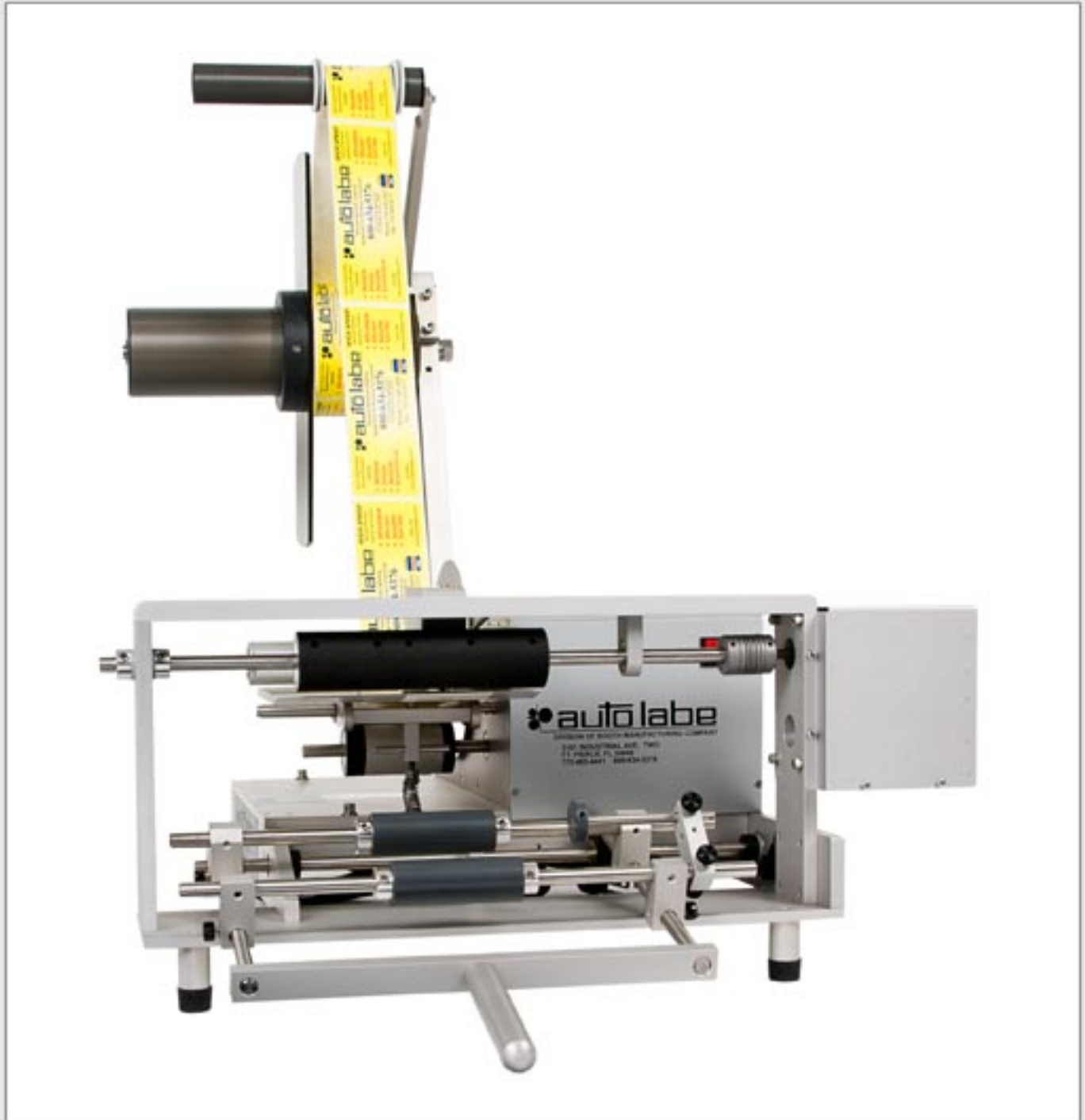


# MODEL 550e

Semi-Automatic Round Product Labeler

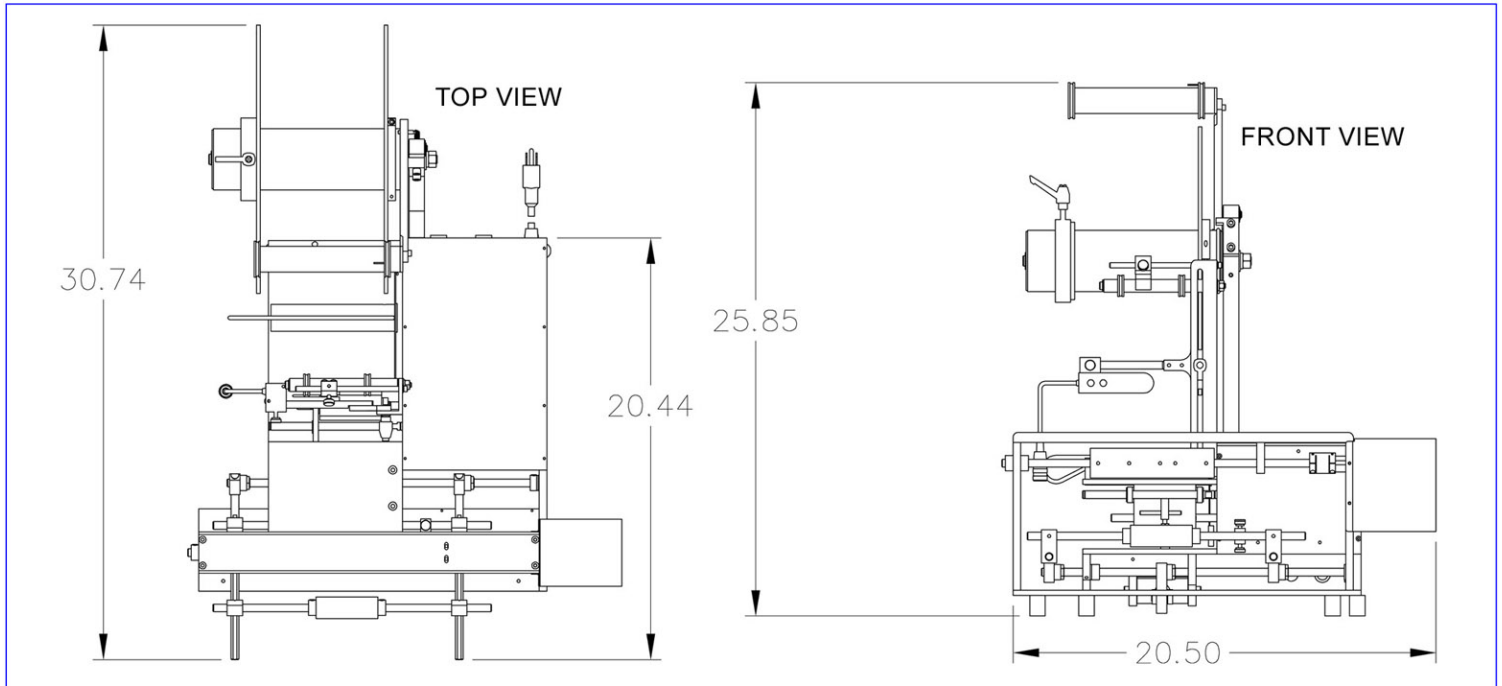


 **auto labe**

# MODEL 550e

## Semi-Automatic Round Product Labeler

- Very economical for small production runs.
- Cost effective transition from manual labeling to fully automatic labeling.
- Accurately places labels on round products from 3/8" to 4" diameter.
- Maintains consistent and high label registration.



### EQUIPMENT SPECIFICATIONS:

#### DIMENSIONS: (overall)

Width: 20.5 in. / 52.1 cm  
 Length: 30.74 in. / 78.1 cm  
 Height: 25.85 in. / 65.7 cm

#### WEIGHT:

40 lbs / 19 kg

#### ELECTRIC:

115 VAC / 60HZ / 1.5AMP (max.)

### LABEL SPECIFICATIONS:

Standard 5" Web Width / 10" O.D. Roll with 3" Core  
 Pressure sensitive / Die Cut

### SHIPPING WEIGHT:

52 lbs. / 24 kg

### SHIPPING CRATE DIMENSIONS: (approx.)

Width: 24 in. / 61 cm  
 Length: 24 in. / 61 cm  
 Height: 18 in. / 46 cm

### OPTIONS AVAILABLE

- Photo electric label sensor
- Model 310 Hot Stamp Imprinter
- Spare parts kit
- Gallon-sized modification
- Wide label kits



DIVISION OF BOOTH MANUFACTURING COMPANY

3101 Industrial Avenue Two, Fort Pierce, Florida 34946  
 Toll Free 800-634-5376 • 772-465-4441 • Fax 772-465-5177  
 www.autolabe.com • e-mail: info@autolabe.com