

# MODEL 151e

Automatic Print & Apply Label Applicator



 auto labe

# MODEL 151e

## Automatic Print & Apply Label Applicator

Auto Labe's economical, entry level Print/Apply applicator is designed for light to moderate duty print applications. The apply options include: Tamp, Blow, Air-Tamp or Smart Tamp Labeling. The Model 151e print engine offers up to 4.5" media width and 203dpi print resolution. This economical Print & Apply label applicator offers exceptional value for a variety of label applications. Call for more details!

### FEATURES:

- Speed - 6 ips max.
- Exceptional placement accuracy
- Built for industrial environment
- Pressure and Vacuum gauges
- PLC Control
- Flexible mounting allows labeling from the side, top, or bottom
- Easy set-up
- Air-Tamp for recessed label application
- Standard photo electric product sensor included
- Supports up to 12" O.D. label roll with 3" core

### SPECIFICATIONS:

#### Interface Options:

RS232, Parallel, Ethernet (LAN),  
Wireless (WLAN) and Twinax/Coax

#### Air Requirements:

3 CFM @ 90 PSIG

#### Electric Requirements:

110 VAC 60 HZ/3 AMP  
220 VAC 50 HZ (Optional)

#### Equipment Weight:

Applicator Only  
67 lbs/30.5kg (approximate)

### PRINT ENGINE OPTIONS

SATO Lt 408  
203dpi (8 dots/mm)  
Print Speed: (up to 6"/sec)  
Maximum Print Area:  
(4.09" Wide by 8" Long)  
Printing Method: Thermal Transfer  
Direct Thermal

### RIBBONS

Lengths-360m(1,181'), 410m(1,345')  
and 450m(1,476')  
Widths- 40mm(1.58"), 53mm(2.09")  
102mm(4.02")110mm(4.33")

### LABELS

8" O.D. ROLLS  
4"wx2"L - 4 rolls/case = 11,600 lbl/c  
4"wx4"L - 4 rolls/case = 6,000 lbl/c  
4"wx6"L - 4 rolls/case = 4,000 lbl/c  
4"wx8"L - 4 rolls/case = 3,200 lbl/c  
12" O.D. ROLLS  
4"wx4"L - 2 rolls/case = 7,800 lbl/c  
4"wx6"L - 2 rolls/case = 5,250 lbl/c  
4"wx8"L - 2 rolls/case = 3,950 lbl/c

### SOFTWARE

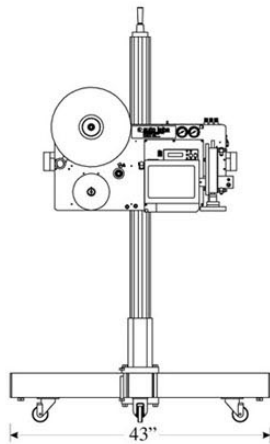
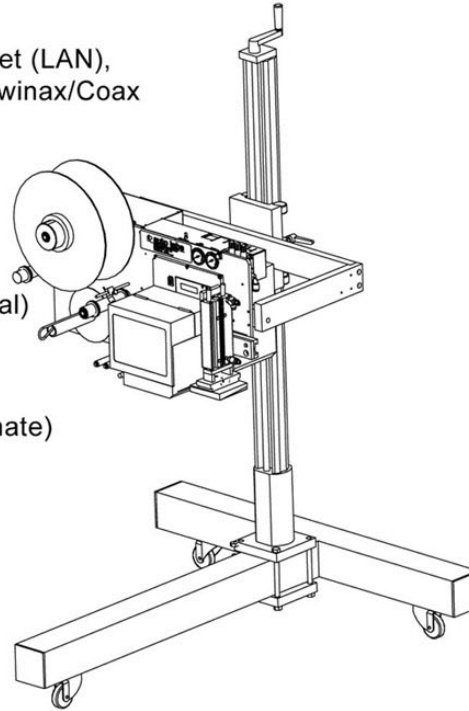
Label Gallery™  
Labelview™  
Bartender™

### TAMP PADS-quick disconnect

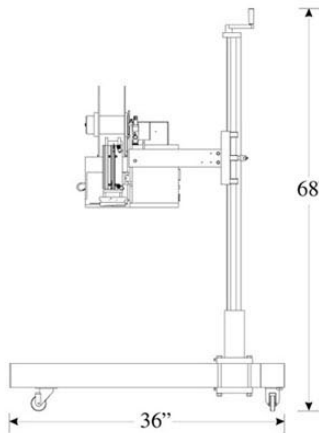
4"w x 2"L stock.  
4"w x 4"L stock  
4"w x 6"L stock

### TAMP STROKE AVAILABLE

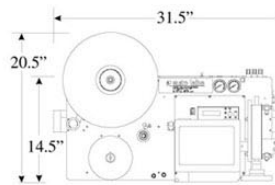
6" pneumatic cylinder  
12" pneumatic cylinder  
15.74" (400mm) pneumatic cylinder



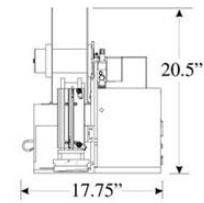
FRONT VIEW



SIDE VIEW



FRONT VIEW



SIDE VIEW

### Options/Accessories

- Variety of Tamp Head sizes
- Variety of Blow Grid sizes
- Air-Tamp Option
- Smart Tamp Sensor
- Web Monitoring System
- Accumulators / Descramblers
- T-Base Stand
- H-Base Stand
- Custom Hardware and Mounts
- Custom Conveyors
- Spare Parts Kits
- Software Packages
- Computers
- Ribbon Stock
- Label Stock



DIVISION OF BOOTH MANUFACTURING COMPANY

3101 Industrial Avenue Two, Fort Pierce, Florida 34946  
Toll Free 800-634-5376 • 772-465-4441 • Fax 772-465-5177  
www.autolabe.com • e-mail: info@autolabe.com