

# MODEL 151

Automatic Print & Apply Label Applicator



 auto labe

# MODEL 151

## Automatic Print & Apply Label Applicator

Auto Labe's new Print/Apply System integrates either a Tamp, Blow, Air-Tamp or Smart Tamp Label Applicator with High Performance Thermal Transfer and Direct Thermal Printers. The Model 151 incorporates a PLC for easy operation and control. No more relays or circuit board problems to worry about. Built to last with only the best components available for maximum versatility and performance.

### FEATURES:

- Exceptional placement accuracy.
- Built for industrial environment.
- Flexible mounting allows labeling from the side, top, or bottom.
- Tamp-Blow for recessed label application.

### SPECIFICATIONS:

#### Interface:

USB, RS232, Ethernet,  
Parallel and Twinax/Coax

#### Air Requirements:

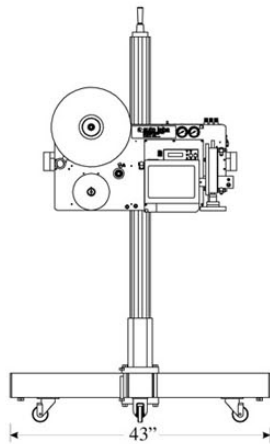
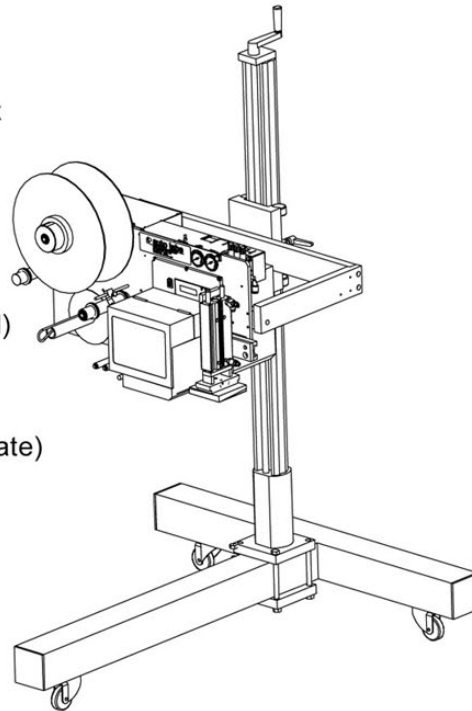
3 CFM @ 90 PSIG

#### Electric Requirements:

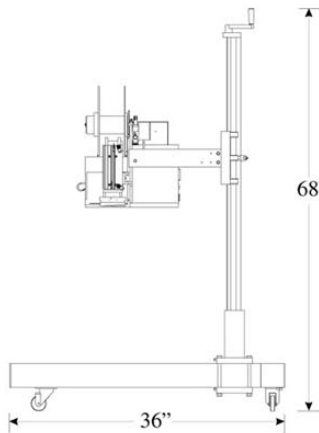
110 VAC 60 HZ/5 AMP  
220 VAC 50 HZ (Optional)

#### Equipment Weight:

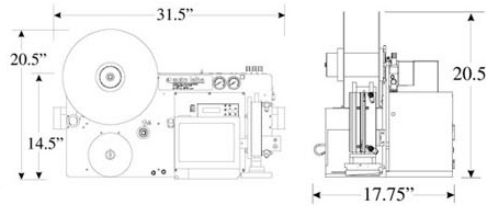
Applicator Only  
67 lbs/30.5 kg (approximate)



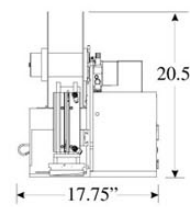
FRONT VIEW



SIDE VIEW



FRONT VIEW



SIDE VIEW

### PRINT ENGINE OPTIONS

#### SATO 8460Se

203dpi ( 8 dots/mm )  
Print Speed: (Up to 8"/sec)  
Maximum Print Area:  
(6" Wide by 49.2" Long)  
Printing Method: Thermal Transfer  
Direct Thermal

#### SATO 8485Se

203dpi ( 8 dots/mm )  
Print Speed: (Up to 12"/sec)  
Maximum Print Area:  
(5" Wide by 49.2" Long)  
Printing Method: Thermal Transfer  
Direct Thermal

#### SATO 8490Se

305dpi ( 12 dots/mm )  
Print Speed: (Up to 8"/sec)  
Maximum Print Area:  
(4.4" Wide by 32.8" Long)  
Printing Method: Thermal Transfer  
Direct Thermal

#### ZEBRA 110PAX4

203 or 300 dpi  
Print Speed: (12"/sec @ 203dpi)  
Print Speed: (8"/sec @ 300dpi)  
Maximum Print Area:  
( 4.1"Wide by 39"Long )  
Printing Method: Thermal Transfer  
Direct Thermal

#### ZEBRA 170PAX4

203 or 300 dpi  
Print Speed: (12"/sec @ 203dpi)  
Print Speed: (8"/sec @ 300dpi)  
Maximum Print Area:  
( 6.6"Wide by 39"Long )  
Printing Method: Thermal Transfer  
Direct Thermal

#### DATAMAX A-4212 MARK II

203dpi ( 8 dots/mm )  
Print Speed: (2" to 12"/sec)  
Maximum Print Area:  
( 4.094"Wide by 99"Long )  
Printing Method: Thermal Transfer  
Direct Thermal

#### DATAMAX A-4308 MARK II

300dpi ( 12 dots/mm )  
Print Speed: (2" to 8"/sec)  
Maximum Print Area:  
( 4.16"Wide by 99"Long )  
Printing Method: Thermal Transfer  
Direct Thermal

#### DATAMAX A-6210 MARK II

203dpi ( 8 dots/mm )  
Print Speed: (2" to 10"/sec)  
Maximum Print Area:  
( 6.61"Wide by 99"Long )  
Printing Method: Thermal Transfer  
Direct Thermal

### Options/Accessories

- Variety of Tamp Head sizes
- Variety of Blow Grid sizes
- Air-Tamp Option
- Smart Tamp Sensor
- Web Monitoring System
- Accumulators / Descramblers
- T-Base Stand
- Custom Hardware and Mounts
- Custom Conveyors
- Spare Parts Kit
- Software Packages
- Print Pad
- Computers
- Ribbon Stock
- Label Stock



DIVISION OF BOOTH MANUFACTURING COMPANY

3101 Industrial Avenue Two, Fort Pierce, Florida 34946  
Toll Free 800-634-5376 • 772-465-4441 • Fax 772-465-5177  
www.autolabe.com • e-mail: info@autolabe.com