

Automatic Print & Apply Label Applicator



 **auto labe**

MODEL 151e

Toll Free 800-634-5376

MODEL 151e

Auto Labe's economical, entry level Print/Apply applicator is designed for light to moderate duty print applications. The apply options include, Tamp, Blow, Air-Tamp or Smart Tamp Labeling. The Model 151e print engine offers up to 4.5" media width and 203dpi print resolution. This economical Print & Apply label applicator offers exceptional value for a variety of label applications. Call for more details!

Features

- Speed - 6 ips max.
- Exceptional placement accuracy.
- Built for industrial environment.
- Pressure and Vacuum gauges.
- PLC Control
- Flexible mounting allows labeling from the side, top, or the bottom.
- Easy set-up
- Air-Tamp for recessed label application.
- Standard photo electric product sensor included
- Supports up to 12" O.D. label roll with & 3" core

Specifications

Interface Options:

Standard: RS232 or Parallel
Options: Ethernet (LAN), Wireless (WLAN) and Twinax/Coax

Air Requirements:

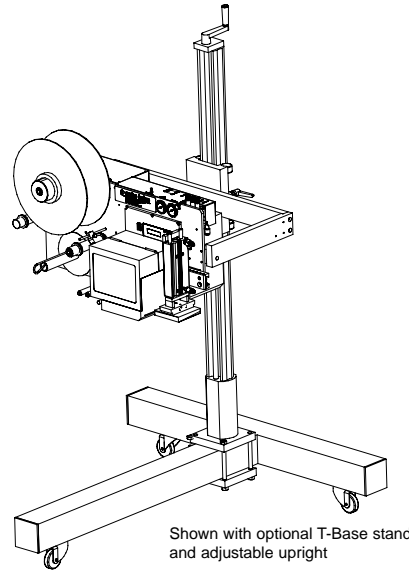
3 CFM @ 90 PSIG

Electric Requirements:

110 VAC 60Hz/3 AMP
220 VAC 50 Hz (Optional)

Equipment Weight:

Applicator Only
67 lbs/30.5kg (approximate)



PRINT ENGINE

SATO Lt 408
203dpi (8 dots/mm)
Print Speed: (up to 6"/sec)
Maximum Print Area:
(4.09" Wide by 8" Long)
Printing Method: Thermal Transfer
Direct Thermal

RIBBONS

Lengths-360m(1,181'), 410m(1,345')
and 450m(1,476')
Widths- 40mm(1.58"), 53mm(2.09")
102mm(4.02")110mm(4.33")

LABELS

8" O.D. ROLLS
4"wx2"L - 4 rolls/case = 11,600 lbl/c
4"wx4"L - 4 rolls/case = 6,000 lbl/c
4"wx6"L - 4 rolls/case = 4,000 lbl/c
4"wx8"L - 4 rolls/case = 3,200 lbl/c
12" O.D. ROLLS
4"wx4"L - 2 rolls/case = 7,800 lbl/c
4"wx6"L - 2 rolls/case = 5,250 lbl/c
4"wx8"L - 2 rolls/case = 3,950 lbl/c

SOFTWARE

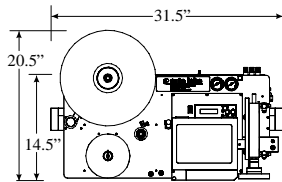
Label Gallery™
Labelview™
Bartender™

TAMP PADS-quick disconnect

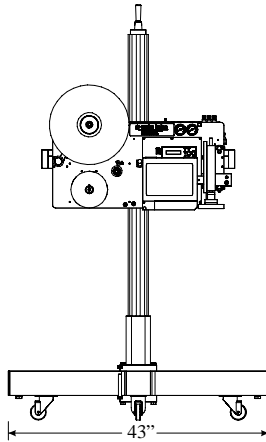
4"w x 2"L stock
4"w x 4"L stock
4"w x 6"L stock

TAMP STROKE AVAILABLE

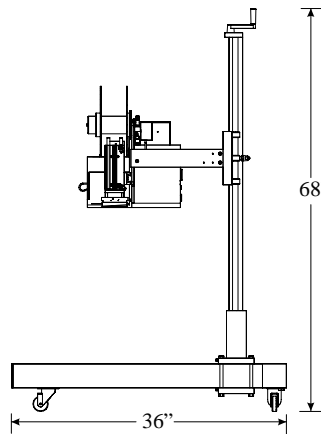
6" pneumatic cylinder
12" pneumatic cylinder
15.74" (400mm) pneumatic cylinder



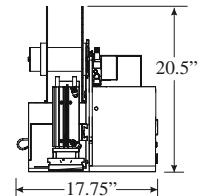
FRONT VIEW



FRONT VIEW



SIDE VIEW



SIDE VIEW

Options/Accessories

- Variety of Tamp Head sizes
- Variety of Blow Grid sizes
- Air-Tamp
- Smart Tamp Sensor
- Web Monitoring System
- Accumulators/Descramblers
- T-Base Stand
- H- Based Stand
- Custom Hardware and Mounts
- Custom Conveyors
- Spare Parts Kits
- Software Packages
- Computers
- Ribbon Stock
- Label Stock

Over 40 years of commitment to quality and innovation in the Pressure Sensitive Labeling Industry



DIVISION OF BOOTH MANUFACTURING COMPANY

3101 Industrial Avenue Two, Fort Pierce, Florida 34946
Toll Free 800-634-5376 • 772-465-4441 • FAX 772-465-5177

www.autolabe.com

e-mail info@autolabe.com



DISTRIBUTED BY: